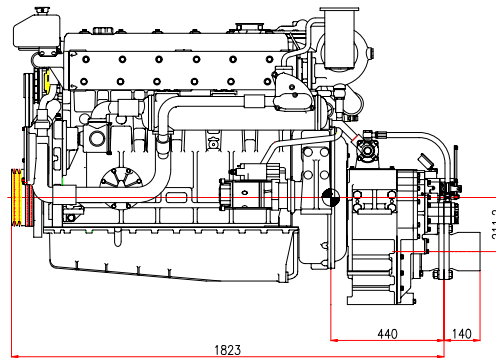
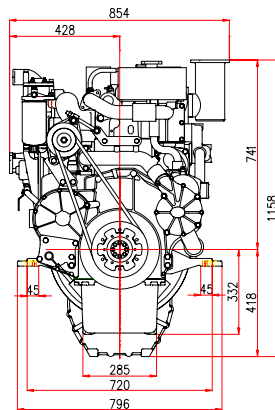


POWER RATING

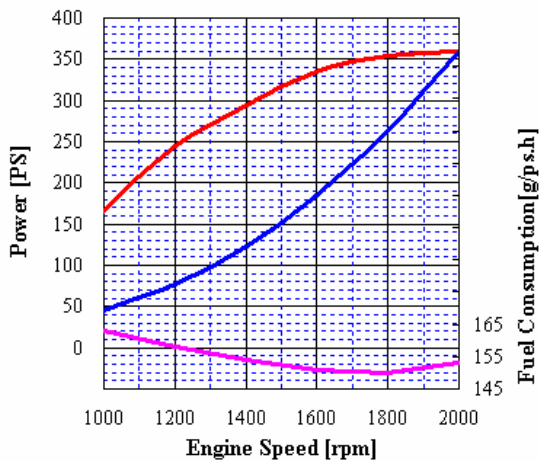
Production tolerance : $\pm 3\%$

MODEL	CONDITIONS	POWER	rpm	Base Engine
L126TIH	HEAVY DUTY	360PS (265kW)	2,000	DE12TIB
L126TIM	MEDIUM DUTY	400PS (294kW)	2,100	

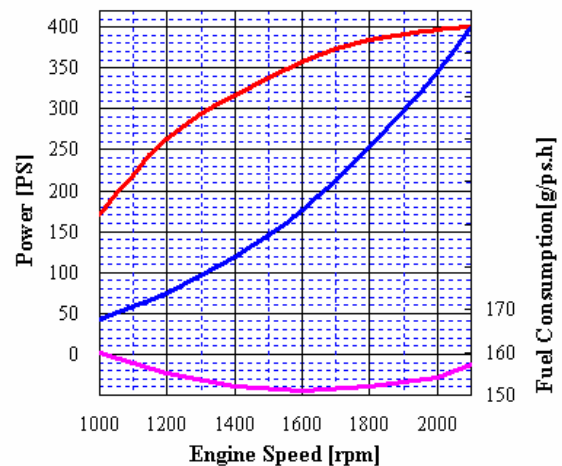
Note : 1) No reduction in rating for intake air temperature is up to 45 °C (318K) and sea water temperature is up to 32 °C (305K) , relative humidity is up to 60 % all data are based on operation to ISO 3046.



Heavy Duty



Medium Duty



- Heavy Duty :** Operation hours are unlimited per year, at average load is up to 90 % ,
 At full load is up to 80 %
 Typical gearbox ratio: 2.5 ~ 6
 (Fishing trawler, Tug boat, Pushing vessel, Cargo boat, Freighter, Ferry)
- Medium Duty :** Operation hours are up to 3,000 per year, at average load is up to 70 %
 At full load is (up to 30 % / 4hrs per 12 hour operation period)
 Typical gearbox ratio: 2 ~ 3.5
 (Fishing boat, Pilot boat, Escort boat, Passenger boat, Ferry, Cruising vessel)

Engine Specification

Model		Units	L126TIH	L126TIM
Engine type			4 cycle, In line, direct- injection, water cooled with wet turbo charger & inter-cooler	
Rating output (B.H.P)		PS(kW)/rpm	360(265)/2,000	400(294)/2,100
Displacement		cc	11,051	
Cylinder number - bore(φ) x stroke		mm	6 - φ123 x 155	
Valve clearance at cold		In / Ex	mm 0.3 / 0.3	
Low idling rpm		rpm	725 ± 25	
No load max. rpm		rpm	below 2,200	below 2,310
Mean effective pressure		kg/cm ²	14.66	15.52
Mean piston speed		m/sec.	10.33	10.85
Compression ratio			17 : 1	
Firing order			1 - 5 - 3 - 6 - 2 - 4	
Compression pressure		at 200 rpm	kg/cm ² 28 (Initial condition)	
Governor type of injection pump			Mechanical variable speed (R.Q.V)	
Fuel consumption		g/PS.h	154	159
		lit / h	67	77
Injection timing (B.T.D.C)		deg	14°±1°	14°±1°
Fuel inj. nozzle opening pressure		kg/cm ²	1st : 160 , 2nd : 220	
Starting system			Electric Starting by starter motor	
Starter motor capacity		V- kW	24 - 6.0	
Alternator capacity		V- A	24 - 50	
Battery		V- Ah	24 - 150	
Cooling system			Indirect sea water cooling with heat exchanger	
Cooling water capacity		Max. / Min.	lit 24 / 19	
Fresh water pump type			Centrifugal type, driven by gear	
Sea water pump type			Rubber impeller type driven by gear	
Lubricating oil (Engine)		Pan capacity	lit Max : 25, Min : 19 (Engine total : 27)	
		Pressure	kg/cm ² Full : 3.5, Idle : 1.2	
Marine gear		Model	DMT144H (Dong-I)	
		Gear ratio	1.83 2.09 2.51 3.08 3.43	
Direction of revolution		Crankshaft	Counter clockwise viewed from stern side	
		Propeller	Clockwise viewed from stern side	
Engine size (L x W x H)		Without M/G	mm 1,242 x 854 x 1,073	
		With M. gear	mm 1,683 x 854 x 1,159	
Engine dry weight		Without M/G	kg 1,060	
		with M. gear	kg 1,345	

psi = kg/cm² x 14.22
 lb/ft. = N.m x 0.737
 kW = 0.2388 kcal/s

lb = kg x 2.205
 lb/PS.h = g/kW.h x 0.00162
 cfm = m³/min x 35.3

hp = PS x 0.98635
 U.S gal. = liter x 0.264

Head office

7-11, Hwasu-Dong, Dong-Gu, Incheon, Korea
 TEL : 82-32-760-1951, 1953 FAX : 82-32-761-2759

Seoul Office

Doosan Infracore Co. Ltd.,
 22nd Floor, Doosan Tower, 18-12, Euljiro 6-ga, Jung-gu,
 Seoul, Korea.
 TEL : 82-2-3398-8521-8536 FAX : 82-2-3398-8509
 Web site : www.doosaninfracore.com

※ Specifications are subject to change without prior notice.