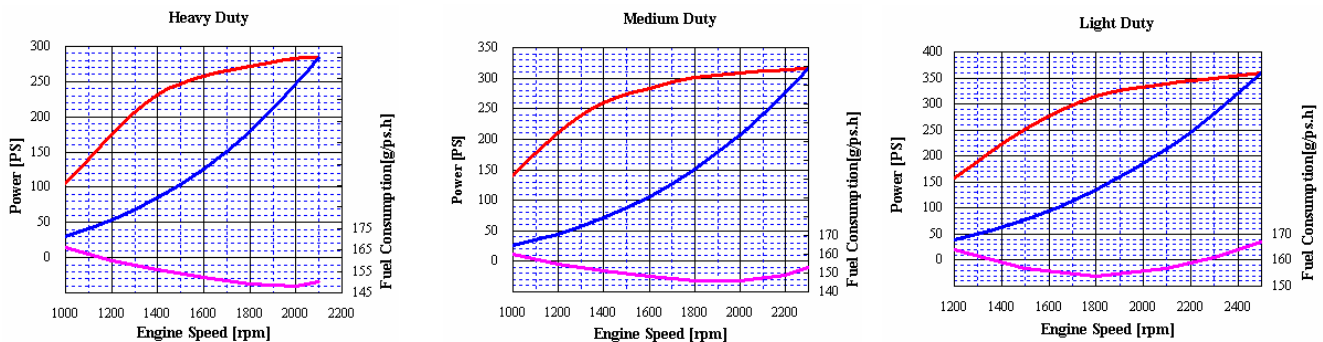
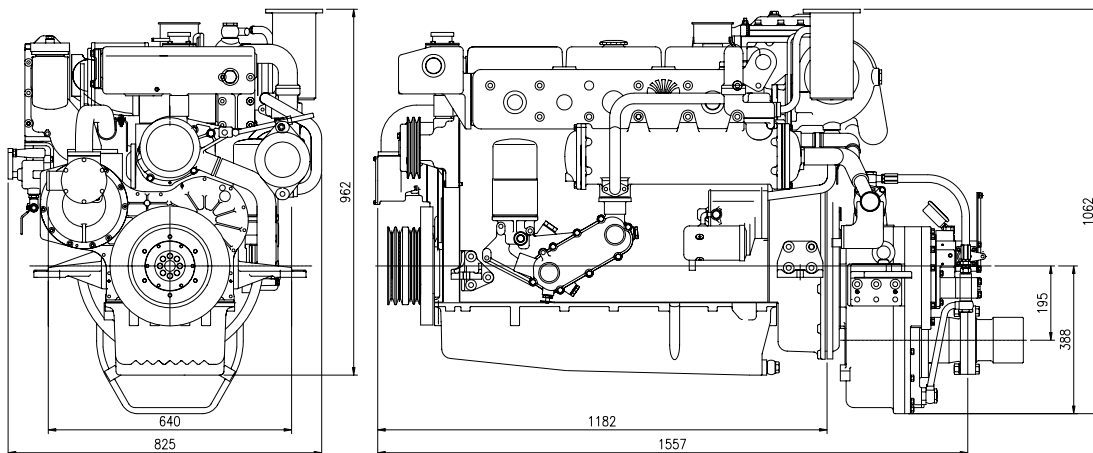


POWER RATING

Production tolerance : $\pm 3\%$

MODEL	CONDITIONS	POWER	rpm	Base Engine
L086TIH	HEAVY DUTY	285PS (210kW)	2,100	D1146TIB
L086TIM	MEDIUM DUTY	315PS (232kW)	2,300	
L086TIL	LIGHT DUTY	360PS (265kW)	2,500	

Note : 1) No reduction in rating for intake air temperature is up to 45 °C (318K) and sea water temperature is up to 32 °C (305K) , relative humidity is up to 60 % all data are based on operation to ISO 3046.



- **Heavy Duty :** Operation hours are unlimited per year, at average load is up to 90 % ,
At full load is up to 80 %
Typical gearbox ratio: 2.5 ~ 6
(Fishing trawler, Tug boat, Pushing vessel, Cargo boat, Freighter, Ferry)
- **Medium Duty :** Operation hours are up to 3,000 per year, at average load is up to 70 %
At full load is (up to 30 % / 4hrs per 12 hour operation period)
Typical gearbox ratio: 2 ~ 3.5
(Fishing boat, Pilot boat, Escort boat, Passenger boat, Ferry, Cruising vessel)
- **Light Duty :** Operation hours are up to 1,000 per year, at average load is up to 50 %
At full load is (up to 20 % / 2hrs per 12 hour operation period)
Typical gearbox ratio: 1 ~ 2.5
(Light weight fishing boat, Yacht, Coastguard boat, Fast boat, Fire pump)

Engine Specification					
Model	Units	L086TIH	L086TIM	L086TIL	
Engine type		4 cycle, In line, direct- injection, water cooled with wet turbo charger & inter-cooler			
Rating output (B.H.P)	PS(kW)/rpm	285(210)/2,100	315(232)/2,300	360(265)/2,500	
Displacement	cc	8,071			
Cylinder number - bore(φ) x stroke	mm	6 - φ111 x 139			
Valve clearance at cold	In / Ex	mm 0.3 / 0.3			
Low idling rpm	rpm	750 ± 25			
No load max. rpm	rpm	below 2,310	below 2,530	below 2,750	
Mean effective pressure	kg/cm ²	15.14	14.55	16.06	
Mean piston speed	m/sec.	9.73	10.66	11.58	
Compression ratio		16.7 : 1		15.3:1	
Firing order		1 - 5 - 3 - 6 - 2 - 4			
Compression pressure	at 200 rpm	kg/cm ² 28 (Initial condition)			
Governor type of injection pump		Mechanical all speed (R.S.V)			
Fuel consumption	g/PS.h	152	163	167	
	lit / h	52	62	72	
Injection timing (B.T.D.C)	deg	15° ± 1°	15° ± 1°	15° ± 1°	
Fuel inj. Nozzle opening pressure	kg/cm ²	224			
Starting system		Electric Starting by starter motor			
Starter motor capacity	V- kW	24 - 4.5			
Alternator capacity	V- A	24 - 50			
Battery	V- Ah	24 - 100			
Cooling system		Indirect sea water cooling with heat exchanger			
Cooling water capacity	Max. / Min.	lit 27 / 25			
Fresh water pump type		Centrifugal type, driven by V- belt			
Sea water pump type		Rubber impeller type driven by gear			
Lubricating oil (Engine)	pan capacity	lit	Max : 23, Min : 17 (Engine total : 25)		
	pressure	kg/cm ²	Full : 3.5, Idle : 1.2		
Marine gear	Model	DMT 110A (Dong - I)			
	Gear ratio	1.77 2.09 2.42 2.82 3.19			
Direction of revolution	crankshaft	Counter clockwise viewed from stern side			
	propeller	Clockwise viewed from stern side			
Engine size (L x W x H)	without M/G	mm	1,182 x 825 x 962		
	with M. gear	mm	1,552 x 825 x 1,062		
Engine dry weight	without M/G	kg	790		
	with M. gear	kg	1,015		

psi = kg/cm² x 14.22
 lb/ft. = N.m x 0.737
 kW = 0.2388 kcal/s

lb= kg x 2.205
 lb/PS.h = g/kW.h x 0.00162
 cfm = m³/min x 35.3

hp = PS x 0.98635
 U.S gal. = liter x 0.264

Head office
 7-11, Hwasu-Dong, Dong-Gu, Incheon, Korea
TEL : 82-32-760-1951, 1953 FAX : 82-32-761-2759
Seoul Office
 Doosan Infracore Co. Ltd.,
 22nd Floor, Doosan Tower, 18-12, Euljiro 6-ga, Jung-gu,
 Seoul, Korea.
TEL : 82-2-3398-8521-8536 FAX : 82-2-3398-8509
 Web site : www.doosaninfracore.com

※ Specifications are subject to change without prior notice.